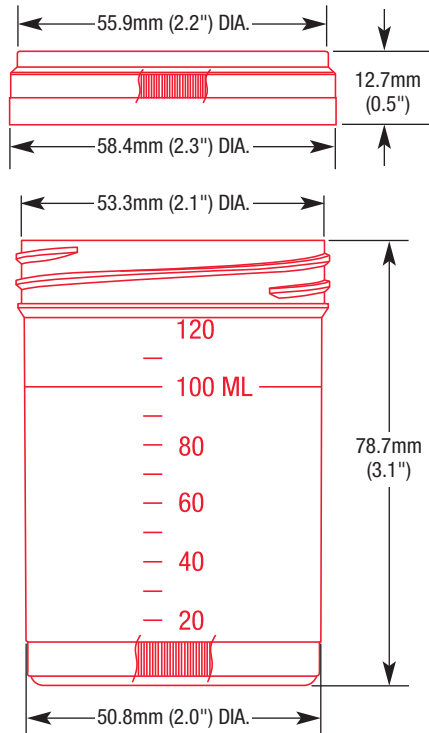


## Tite-Rite Container, 120mL (4oz), Individually Wrapped, Sterile

Item# 6529



### Description

These containers are the ultimate in leak-tight storage and transport of liquids. An expanded inner liner in the screwcap is designed to compress against the uppermost walls and top rim of the container thereby providing an air-tight seal. They are ideal for use in hospital pneumatic tube systems.

### Features

- 120mL (4 oz.) Capacity
- Molded Graduation Marks
- Patient Tab-Seal Label
- Individually Wrapped
- Attached Orange Screw Cap

### Material

Container:

- Polypropylene (PP)

Cap:

- Polyethylene (PE)

### Technical Specifications

Autoclavable: Container Only w/o Cap  
 Brittleness temperature: 0°C  
 Maximum temperature: 135°C  
 Sterility: Sterile

### Products

Item#	Description	Unit
6529	Tite-Rite Container, 120mL (4oz), Individually Wrapped, Sterile	100